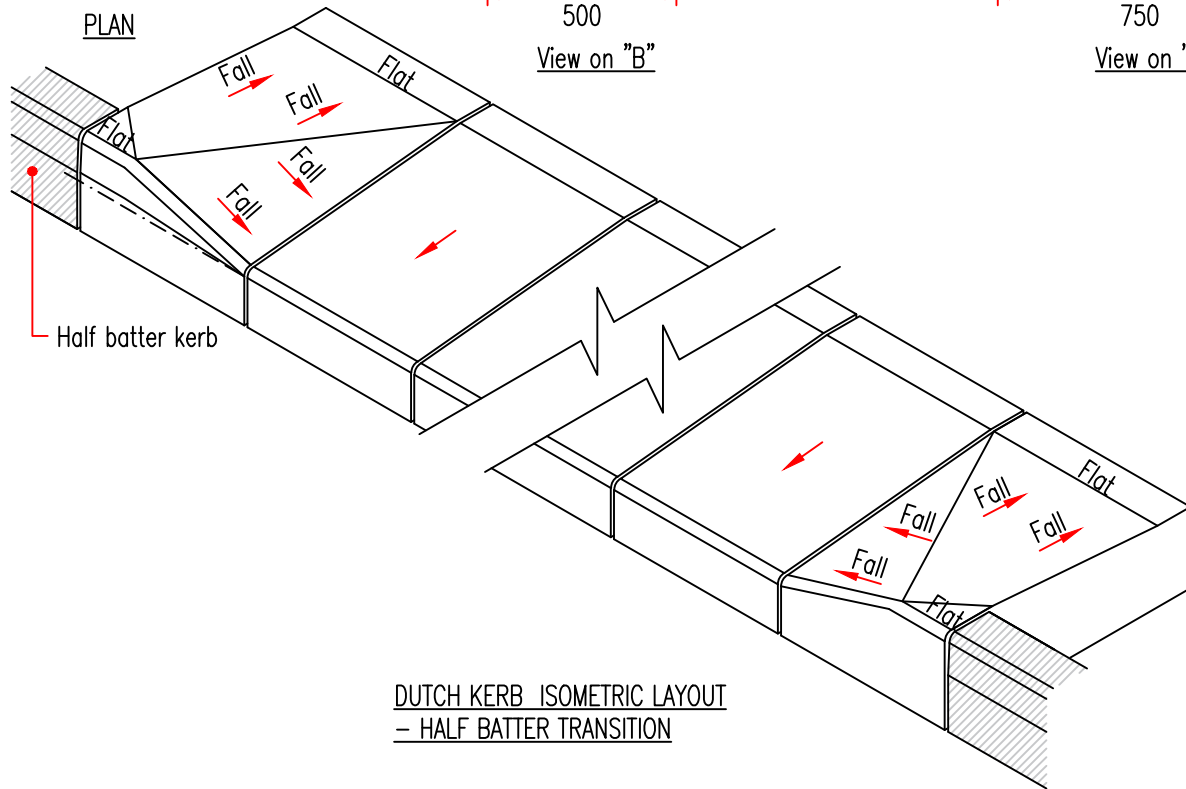


NOTES

1. Right hand kerb to be mirrored.
2. Only to be used on footways/cycleways over 2.5m wide.
3. For construction details see DM-1100-06.



**DUTCH KERB ISOMETRIC LAYOUT
- HALF BATTER TRANSITION**



Growth, Highways & Infrastructure
Suffolk County Council
Endeavour House
8 Russell Road
Ipswich
Suffolk IP1 2BX

DRAWING TITLE
KERBS, FOOTWAYS, CYCLEWAYS AND PAVED AREAS
KERBING
DUTCH KERB DETAILS & LAYOUT

REV.	DESCRIPTION	CHECKED	DATE

ORIGINATOR	INIT.	DATE	PROJECT TITLE	
RY	RY	07/2024	STANDARD CONSTRUCTION DETAILS	
CHECKER	SH	07/2024	SCALE	DATE
RY	RY	07/2024	N.T.S.	JUL. 2024
DESIGNER	TK	07/2024	DRAWING No.	
TK	TK	07/2024	DM-1100-07	