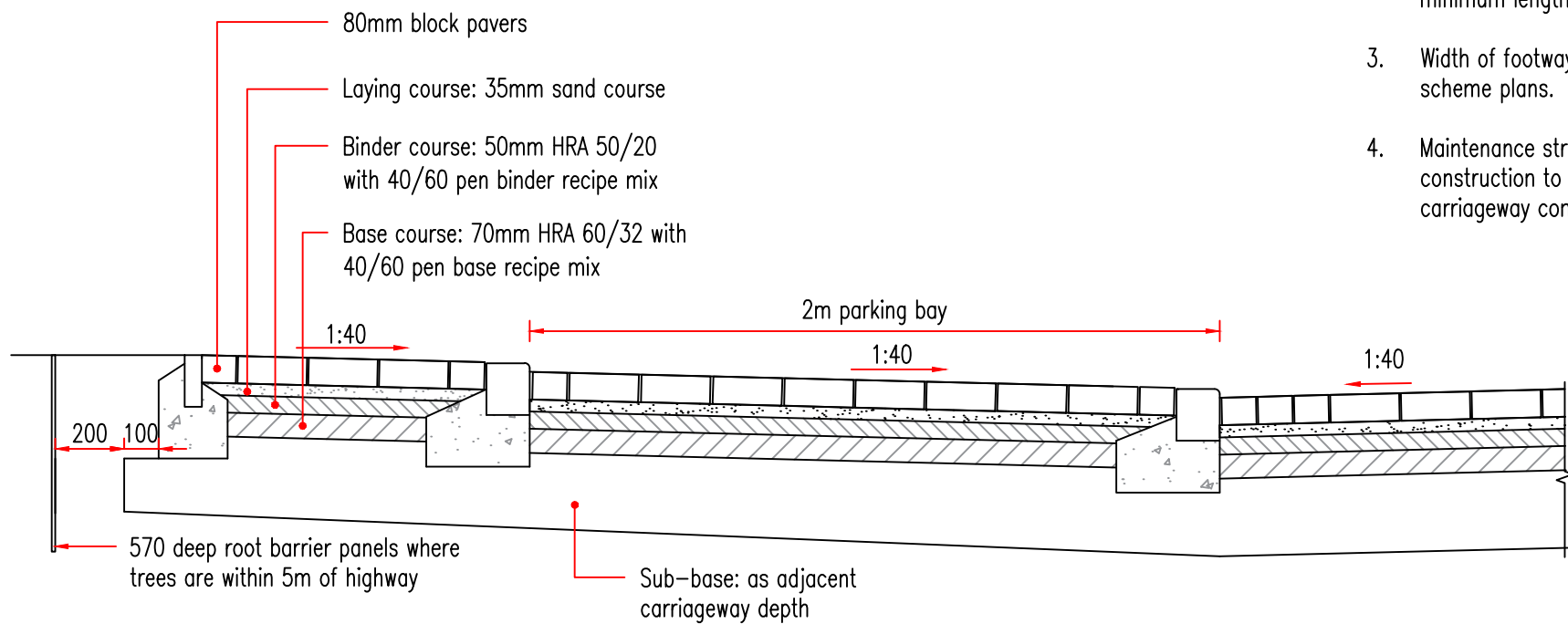


**NOTES**

1. Minimum width of block paved maintenance strip is 0.5m. If area is to be street lit, the strips are to be 1m wide the entire shared surface length.
2. When maintenance strips are verges, the minimum width is 1.0m and minimum length is 5m.
3. Width of footways indicated on the scheme plans.
4. Maintenance strip and parking bay construction to be same as adjacent carriageway construction.



Growth, Highways & Infrastructure  
Suffolk County Council  
Endeavour House  
8 Russell Road  
Ipswich  
Suffolk IP1 2BX

**DRAWING TITLE**  
KERBS, FOOTWAYS, CYCLEWAYS AND PAVED AREAS  
SHARED SURFACE ROAD  
WITH MAINTENANCE STRIP & LAYBY

REV.	DESCRIPTION	CHECKED	DATE

INIT.	DATE	PROJECT TITLE	
ORIGINATOR	RY 07/2024	STANDARD CONSTRUCTION DETAILS	
CHECKER	SH 07/2024	SCALE	DATE
DESIGNER	RY 07/2024	N.T.S.	JUL. 2024
REVIEWER	TK 07/2024	DRAWING No. DM-1100-18	