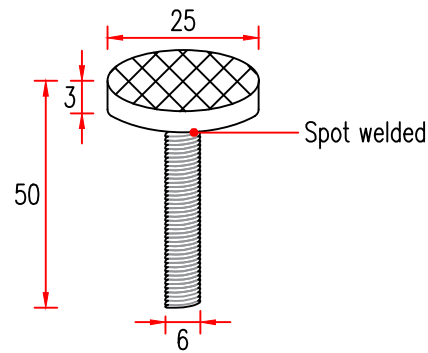


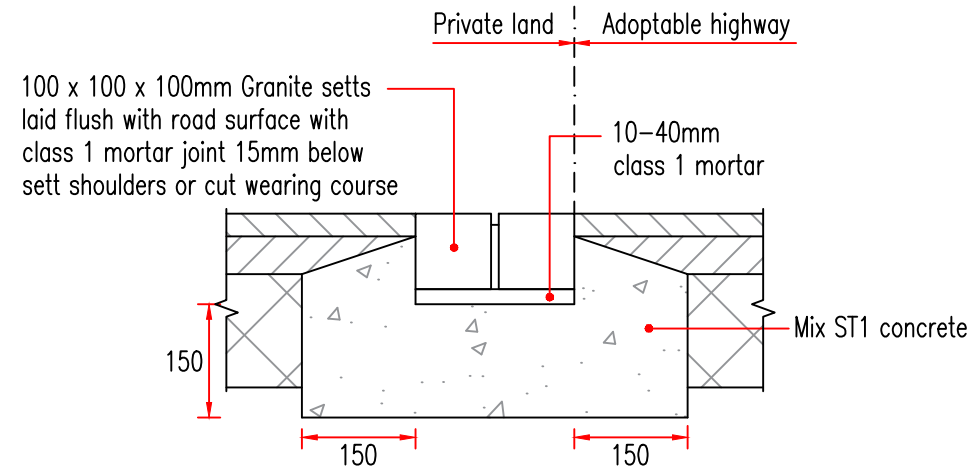
FOOTWAY BOUNDARY MARKER STUD DETAIL



FOOTWAY BOUNDARY MARKER STUD

NOTES

1. Stud to be made from high quality stainless steel. To be inserted flush into natural stone or pc concrete .
2. Studs to be fixed with 2 pack epoxy resin



GRANITE SETTS DEMARCATION DETAIL



Growth, Highways & Infrastructure
Suffolk County Council
Endeavour House
8 Russell Road
Ipswich
Suffolk IP1 2BX

DRAWING TITLE
KERBS, FOOTWAYS, CYCLEWAYS AND PAVED AREAS
BOUNDARY MARKERS

REV.	DESCRIPTION	CHECKED	DATE

INIT.	DATE	PROJECT TITLE	
ORIGINATOR	RY 07/2024	STANDARD CONSTRUCTION DETAILS	
CHECKER	SH 07/2024	SCALE	DATE
DESIGNER	RY 07/2024	N.T.S.	JUL. 2024
REVIEWER	TK 07/2024	DRAWING No. DM-1100-29	