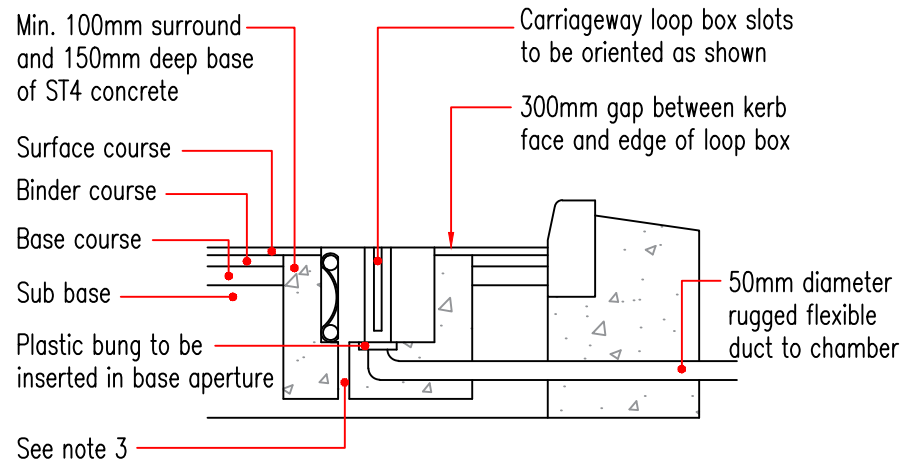
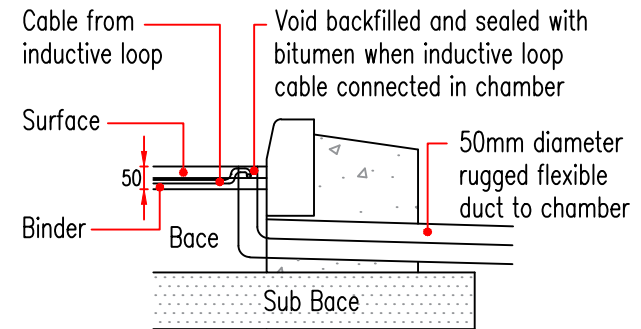


NOTES

1. Detail in this drawing are based on information supplied by NAL Limited.
2. Refer to NAL Limited for further information on installation.
3. Plastic pipe is to be placed for drainage.



LOOP DETAILS
THROUGH CARRIAGEWAY INTO CHAMBER



SECTION THROUGH
NAL D400 CARRIAGEWAY LOOP BOX
IN CARRIAGEWAY WITH DUCT INTO CHAMBER



Growth, Highways & Infrastructure
Suffolk County Council
Endeavour House
8 Russell Road
Ipswich
Suffolk IP1 2BX

DRAWING TITLE

TRAFFIC SIGNS & ROAD MARKINGS
CARRIAGEWAY KERB LOOP DETAIL

REV.	DESCRIPTION	CHECKED	DATE

INIT.	DATE	PROJECT TITLE	
ORIGINATOR	RY 08/2024	STANDARD CONSTRUCTION DETAILS	
CHECKER	SH 08/2024	SCALE	DATE
DESIGNER	RY 08/2024	N.T.S.	AUG. 2024
REVIEWER	TK 08/2024	DRAWING No. DM-1500-01	