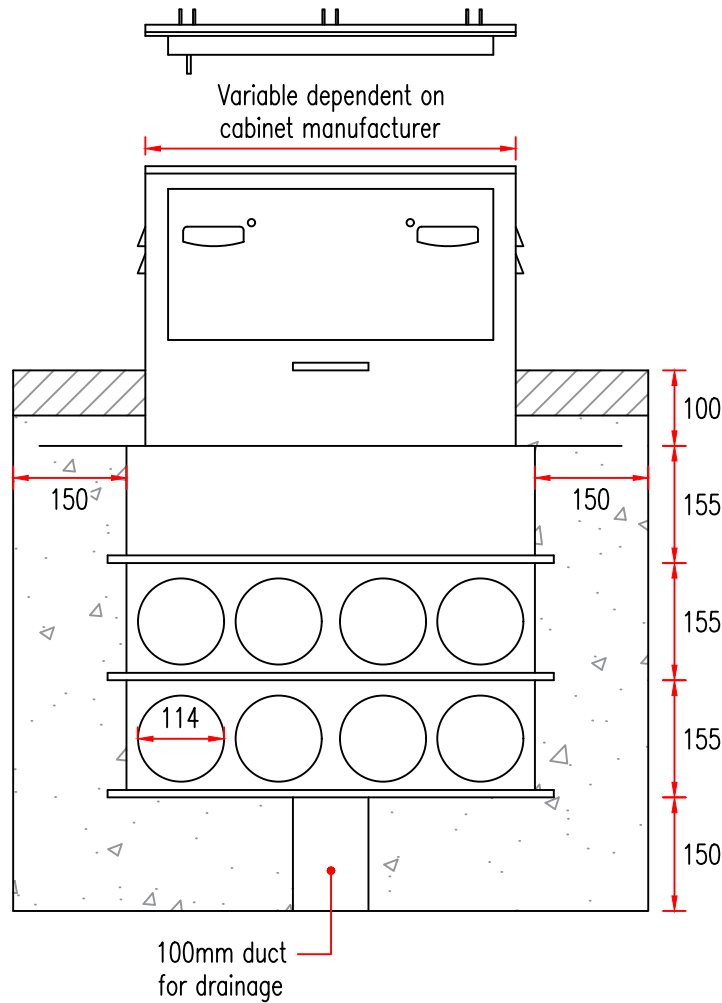
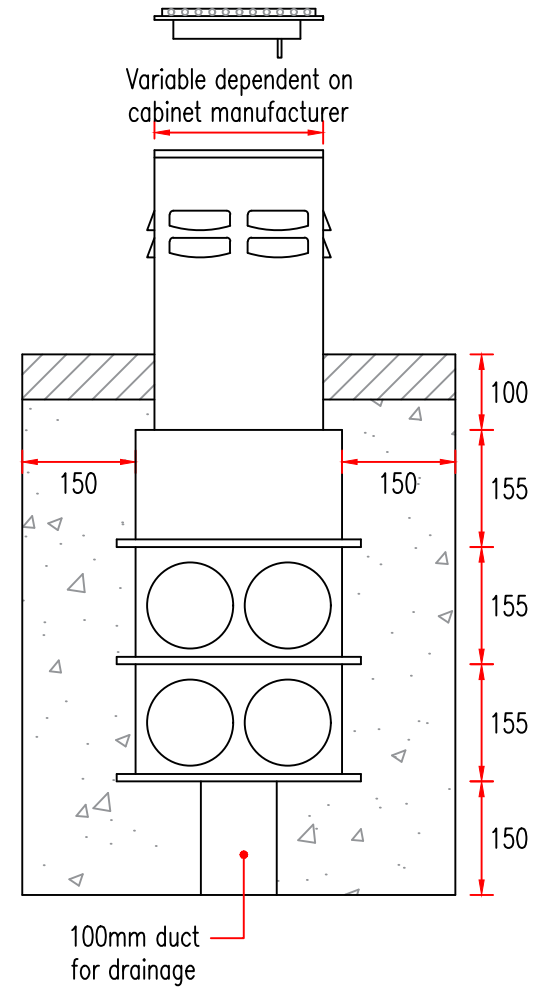


NOTES

1. See drawing no. DM-1500-02.1



FRONT ELEVATION



SIDE ELEVATION



Growth, Highways & Infrastructure
Suffolk County Council
Endeavour House
8 Russell Road
Ipswich
Suffolk IP1 2BX

DRAWING TITLE

TRAFFIC SIGNS & ROAD MARKINGS
TRAFFIC SIGNAL CONTROLLER FOUNDATION

REV.	DESCRIPTION	CHECKED	DATE

INIT.	DATE	PROJECT TITLE	
ORIGINATOR	RY 08/2024	STANDARD CONSTRUCTION DETAILS	
CHECKER	SH 08/2024	SCALE	DATE
DESIGNER	RY 08/2024	N.T.S.	AUG. 2024
REVIEWER	TK 08/2024	DRAWING No. DM-1500-02	