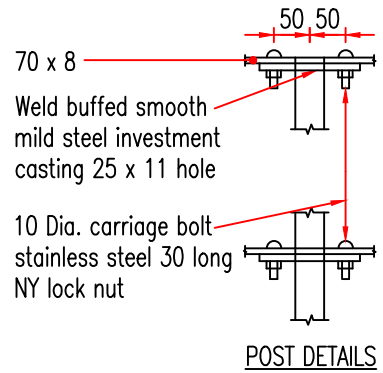


NOTES

1. Ensure all materials adhere to the current British standards.
2. Pedestrian guardrails to be erected in accordance with recommendation of the manufacturer.
3. All safety measures are to be taken with regard to breaking out and mechanical means are to be used where possible. If breaking-out guns are used, the use of anti-vibration gloves and rotation of labour is recommended.

Panel Type	Panel Layout	Optimum Sight Angle	Typical uses
V2		2.5° to 5°	Straight roads, moderate to high speeds
V4		5° to 14°	Straight roads, low to moderate speeds curves.
V8		More than 5°	Curves less than 15m radius, e.g. bellmouths



Growth, Highways & Infrastructure
 Suffolk County Council
 Endeavour House
 8 Russell Road
 Ipswich
 Suffolk IP1 2BX

DRAWING TITLE
 PERMANENT FENCING
 PEDESTRIAN GUARDRAIL VISIRAIL

REV.	DESCRIPTION	CHECKED	DATE

INIT.	DATE	PROJECT TITLE	
ORIGINATOR	RY 08/2024	STANDARD CONSTRUCTION DETAILS	
CHECKER	SH 08/2024	SCALE	DATE
DESIGNER	RY 08/2024	N.T.S.	AUG. 2024
REVIEWER	TK 08/2024	DRAWING No. DM-300-03	