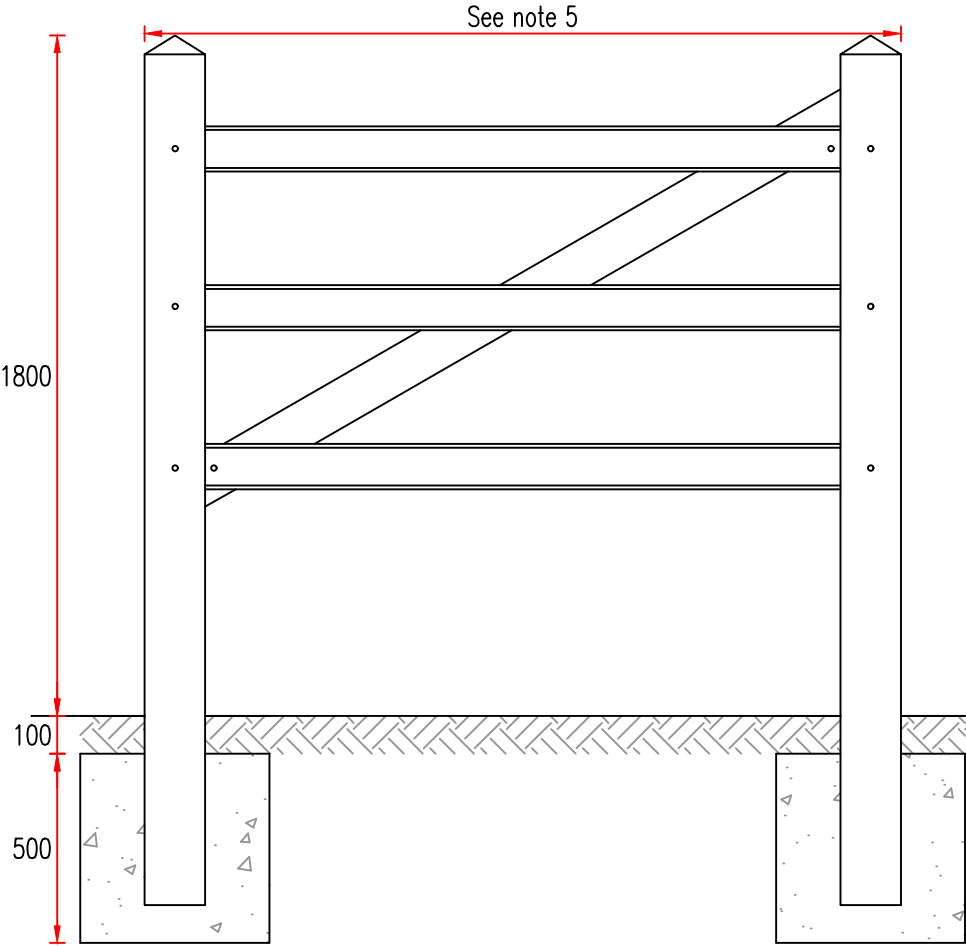
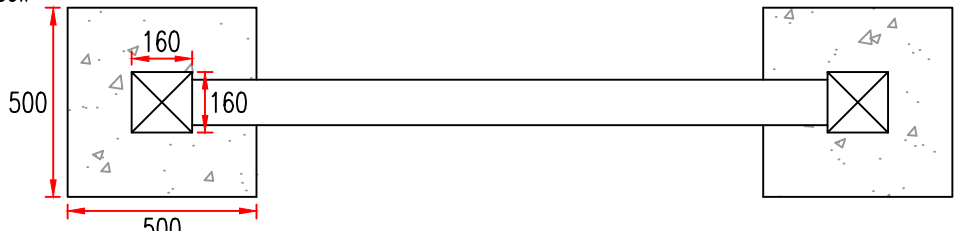


NOTES

1. Concrete foundation to be ST2 mix.
2. Gateway feature to be erected in accordance with recommendation of the manufacturer.
3. Colors – Light oak or dark oak for a wood effect, or white for maximum visibility.
4. Height above ground 1.8m.
5. Width of gateway feature can be 960, 1500 or 2000mm.



ELEVATION



PLAN



Growth, Highways & Infrastructure
Suffolk County Council
Endeavour House
8 Russell Road
Ipswich
Suffolk IP1 2BX

DRAWING TITLE

PERMANENT FENCING
CROSSBAR GATEWAYS

REV.	DESCRIPTION	CHECKED	DATE

ORIGINATOR	INIT.	DATE	PROJECT TITLE	
RY	RY	08/2024	STANDARD CONSTRUCTION DETAILS	
CHECKER	SH	08/2024	SCALE	DATE
RY	RY	08/2024	N.T.S.	AUG. 2024
DESIGNER	RY	08/2024	DRAWING No.	
TK	TK	08/2024	DM-300-05	
REVIEWER	TK	08/2024		