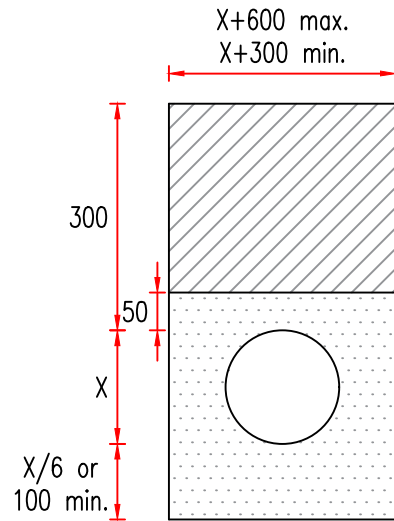
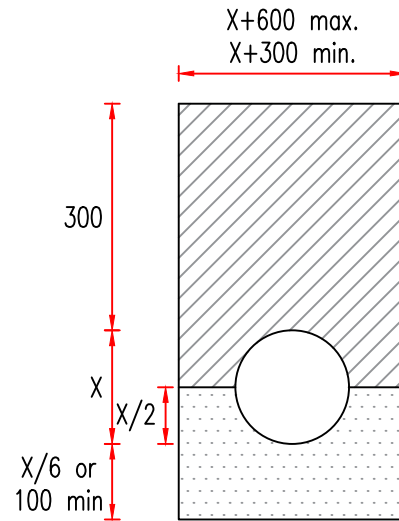


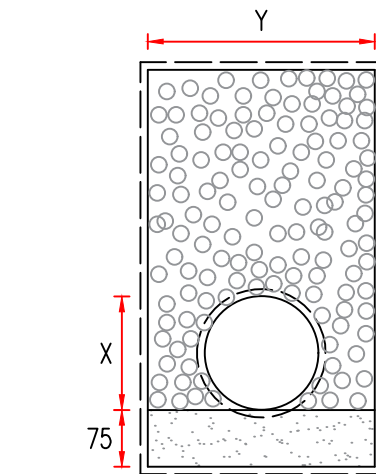
TYPE Z



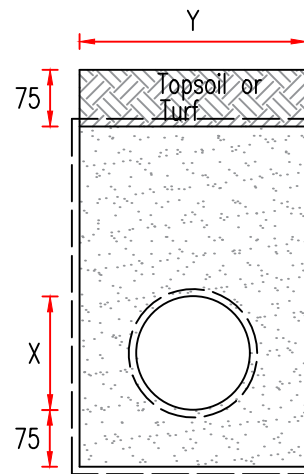
TYPE S (360deg)



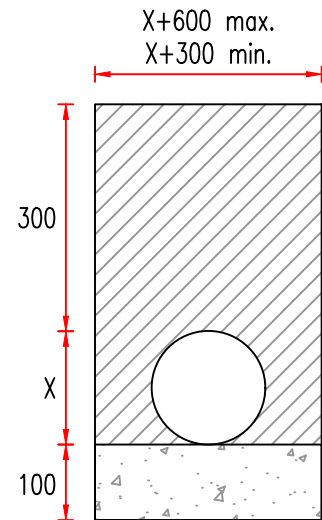
TYPE B (180deg)



TYPE H



TYPE M



TYPE B (180deg)

NOTES

1. Dimension X is the external diameter of the pipe.
2. The minimum or maximum width of the trench applies on and below a line 300mm above the outside top of the pipe.
3. For Type Z trench the concrete cover may be formed to a radius batter or horizontal surface. Min cover of concrete shall be 150mm.
4. For bed Type Z concrete is to extend full width of trench unless shuttered.
5. For flexible pipes Bed Type S only is permitted.
6. Perforated pipes are to be laid with slots or perforations upwards.
7. Minimum drain width to be $Y=X+300$ for drains not exceeding 1.5m cover below finished level. $Y=X+450$ for drains exceeding 1.5m cover below finished level.



Growth, Highways & Infrastructure
Suffolk County Council
Endeavour House
8 Russell Road
Ipswich
Suffolk IP1 2BX

DRAWING TITLE

DRAINAGE AND SERVICE DUCTS
SURFACE WATER DRAIN TRENCH & BEDDING

REV.	DESCRIPTION	CHECKED	DATE

INIT.	DATE	PROJECT TITLE	
RY	08/2024	STANDARD CONSTRUCTION DETAILS	
SH	08/2024	SCALE	DATE
RY	08/2024	N.T.S.	AUG. 2024
TK	08/2024	DRAWING No. DM-500-06	