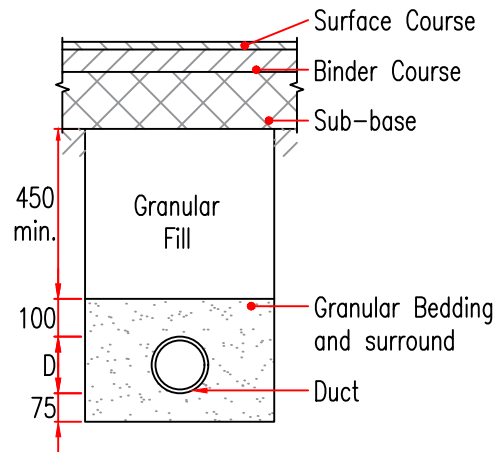
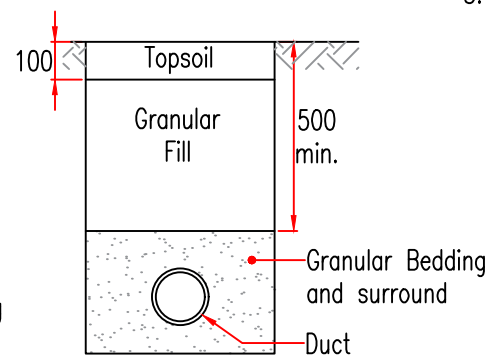


SINGLE DUCT
C/WAY



SINGLE DUCT
FOOTWAY



SINGLE DUCT
VERGE

NOTES

1. Granular Fill compacted in 150mm layers.
2. Concrete to be mechanically vibrated and left for 48hrs before backfill.
3. During construction the draw rope is to be secured to yellow coloured wooden marker posts and the ends of the ducts temporarily stopped to prevent ingress of material.



Growth, Highways & Infrastructure
Suffolk County Council
Endeavour House
8 Russell Road
Ipswich
Suffolk IP1 2BX

DRAWING TITLE

DRAINAGE AND SERVICE DUCTS
DUCT TRENCH DETAILS

REV.	DESCRIPTION	CHECKED	DATE

INIT.	DATE	PROJECT TITLE	
ORIGINATOR	RY 08/2024	STANDARD CONSTRUCTION DETAILS	
CHECKER	SH 08/2024	SCALE	DATE
DESIGNER	RY 08/2024	N.T.S.	AUG. 2024
REVIEWER	TK 08/2024	DRAWING No. DM-500-07	