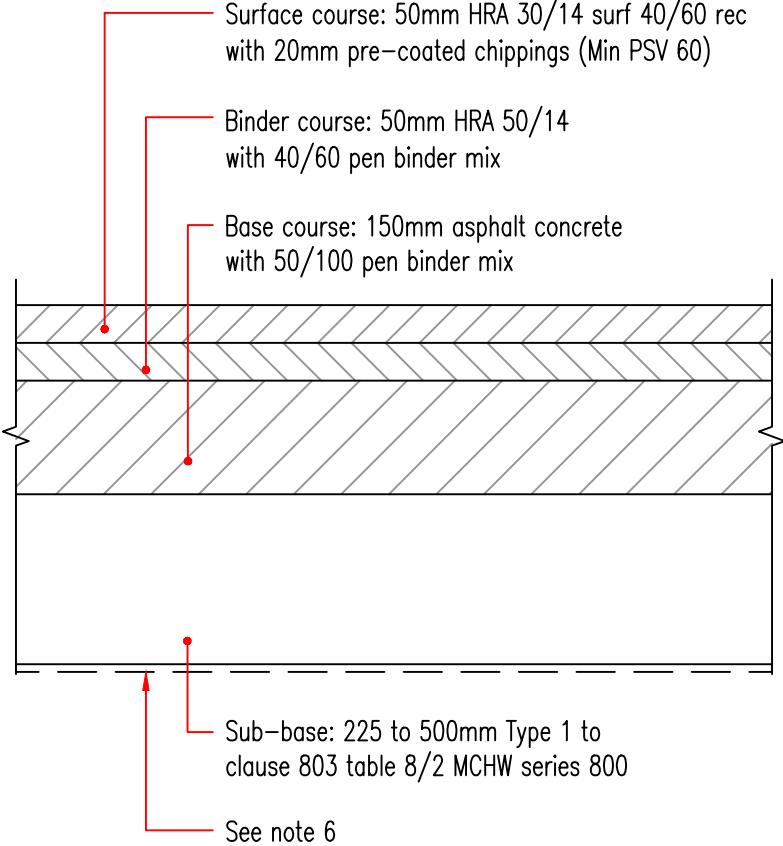


NOTES

1. All HRA and AC binder mixes are to be to BS EN 13108-4:2016.
2. Depths of sub-base depends on CBR test.
3. To latest SCC specification.
4. Completion of formation to be in accordance with SHW Clause 616.
5. All pavement materials to comply with SHW Clause 701.
6. On subgrades of poorly graded sand or with CBR of less than 5%, a geotextile separator shall be laid on the full width of the compacted subgrade prior to spreading the sub-base.



File Path R:\Transport & Infrastructure\Highway Development Control\DM Drawings\DM ACAD 2023\DM-700-02 Sec. adop road.dwg

Plot date 02/08/2024



Growth, Highways & Infrastructure
Suffolk County Council
Endeavour House
8 Russell Road
Ipswich
Suffolk IP1 2BX

DRAWING TITLE

ROAD PAVEMENTS
ADOPTABLE ROADS
SECONDARY CARRIAGEWAY CONSTRUCTION

REV.	DESCRIPTION	CHECKED	DATE

INIT.	DATE	PROJECT TITLE	
RY	08/2024	STANDARD CONSTRUCTION DETAILS	
SH	08/2024	SCALE	DATE
RY	08/2024	N.T.S.	AUG. 2024
TK	08/2024	DRAWING No. DM-700-02	