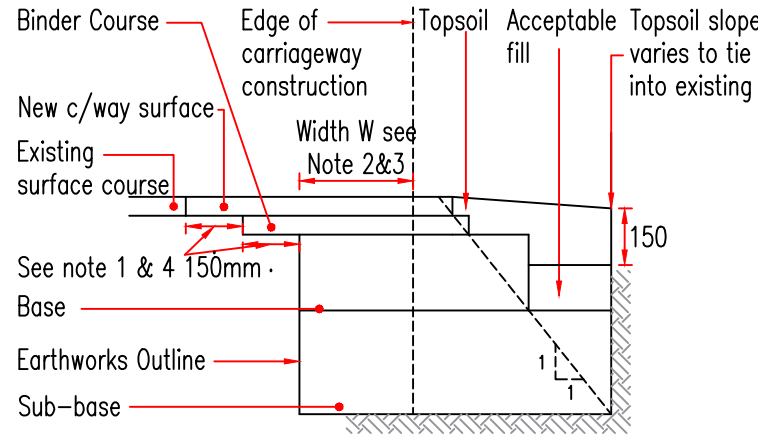
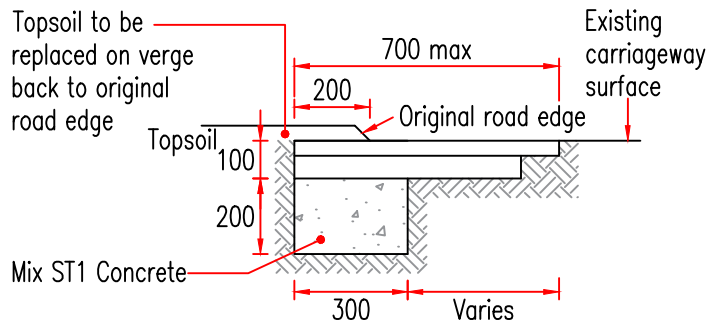


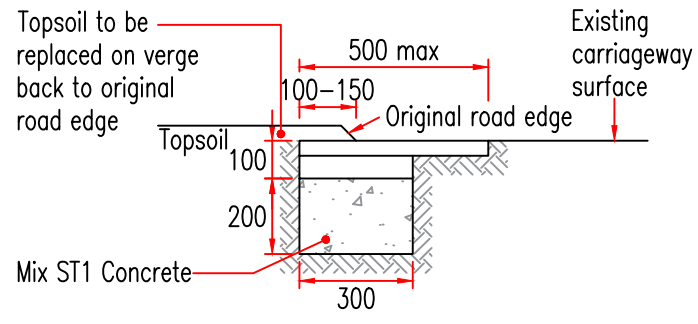
DETAIL A: KERBED
(Prior to overlay)
(Where no overlay see Note 1)



DETAIL B: STEPPED EDGE UNKERBED
(Prior to overlay- where no overlay see Note 1)



DETAIL C



DETAIL D

- NOTES**
1. Cut back must be undertaken after laying and compaction of the sub-base and base material. Where there is no overlay cutback joint to be saw cut to accommodate both surface course & binder course, with skid resistant rubberised bitumen applied to existing surface 40mm wide above joint. Overband not more than 3mm thick.
 2. If width is less than 800mm then base is to be concrete as used for kerb bed.
 3. Minimum width to be 300mm unless otherwise agreed with the SCC.
 4. No longitudinal joints within proposed vehicle wheel tracks.



Growth, Highways & Infrastructure
Suffolk County Council
Endeavour House
8 Russell Road
Ipswich
Suffolk IP1 2BX

DRAWING TITLE

ROAD PAVEMENTS
PAVEMENT HUNCHING DETAIL
FLEXIBLE CARRIAGEWAY

REV.	DESCRIPTION	CHECKED	DATE

INIT.	DATE	PROJECT TITLE	
ORIGINATOR	RY 08/2024	STANDARD CONSTRUCTION DETAILS	
CHECKER	SH 08/2024	SCALE	DATE
DESIGNER	RY 08/2024	N.T.S.	AUG. 2024
REVIEWER	TK 08/2024	DRAWING No. DM-700-05	