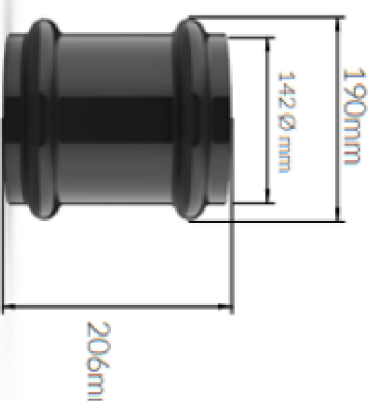
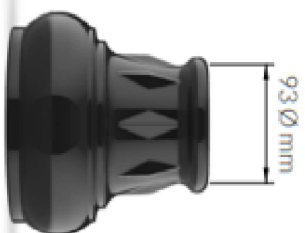


Collar

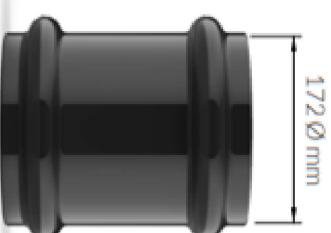


Base

76mm shaft

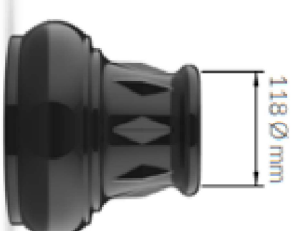


Collar

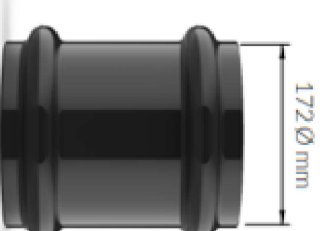


Base

89mm shaft



Collar



Base

114mm shaft

REV.	DESCRIPTION	CHECKED	DATE

ORIGINATOR	CHECKER	DESIGNER	REVIEWER	INT.	DATE	PROJECT TITLE
CG	AA	PW	AA	CG	03/22	STANDARD CONSTRUCTION
AA	AA	AA	AA	AA	03/23	SCALE N.T.S.
AA	AA	AA	AA	AA	03/23	DATE MARCH 2023
AA	AA	AA	AA	AA	03/23	DRAWING No. SCD 1400-26